


## Features

- For use in telecommunication circuit applications requiring low current protection with high surge tolerance
- Overcurrent protection to Telcordia GR-1089-CORE & UL 1950/60950
- Bourns® TISP® products are recommended for the overvoltage section of the circuit
- Agency recognition:  File: E198545

## Telefuse™ SMD Power Cross Protection Fuse

### Electrical Characteristics

Model Number	Ampere Rating (A)	Voltage Rating (Vrms)	Typical Cold Resistance (ohms)	Volt-drop @ 100 % <i>I<sub>n</sub></i> (Volts) max.	Melting I <sup>2</sup> T < 10 msec (A <sup>2</sup> sec.)	Melting I <sup>2</sup> T @ 10 <i>I<sub>n</sub></i> (A <sup>2</sup> sec.)	Peak Surge Current (Amps) 50 Pulses @ 1 KV 10 μs x 1000 μs	Peak Surge Current (Amps) 10 Pulses @ 1 KV 10 μs x 1000 μs	Maximum Power Dissipation (W)
B0500T	0.500	600	0.350	0.28	1.4	1.8	25	35	0.25
B1250T	1.25	600	0.090	0.18	14	17	100	N/A	0.40

% of Amp Rating	Opening Time	
	Minimum	Maximum
100 %	4 hrs.	N/A
200 %	3 sec.	60 sec.
500 %	100 msec.	1.5 sec.
1000 %	30 msec.	300 msec.

Temperature Range.....-55 °C to +125 °C

### Environmental Characteristics

Thermal Shock .....MIL-STD-202, Method 107,  
Test Condition B (-65 °C to +125 °C)

Shock.....MIL-STD-202, Method 213,  
Test Condition I  
(100 Gs peak for 6 milliseconds)

Vibration.....MIL-STD-202, Method 201  
(10-55 Hz, 0.06 inch total excursion)

Salt Spray .....MIL-STD-202, Method 101,  
Test Condition B (48 hrs.)

Insulation Resistance.....MIL-STD-202, Method 302,  
Test Condition A (after opening)  
10,000 ohms minimum

Solderability .....MIL-STD-202, Method 208

Resistance to Solder Heat.....MIL-STD-202, Method 210,  
Test Condition J (235 °C, 30 sec.)

### Physical Characteristics

Body Material .....Ceramic with tin plated brass caps

Solder .....Lead-free

Packaging.....2,000 pcs. per 13" reel

### Surge Withstand Ratings (Model B1250T)

Voltage	Peak Surge Current	Maximum Rise/Duration Time	Repetitions
800 V	100 A	10 μs x 560 μs	4 Pulses (2 each polarity)
1000 V	100 A	10 μs x 1000 μs	100 Pulses (50 each polarity)
2500 V	500 A	2 μs x 10 μs	40 Pulses (20 each polarity)
5000 V	500 A	2 μs x 10 μs	4 Pulses (2 each polarity)

### Power Cross Rating

Overload Current	Voltage (VAC)	Clearing Time Limit	
		1.25 A	500 mA
200 % Fuse Rating	600 V	max. 60 sec.	max. 60 sec.
2.2 A	600 V	max. 15 min.	max. 2 min.
7 A	600 V	max. 1 sec.	max. 100 msec.
40 A	600 V	max. 50 msec.	max. 30 msec.
60 A	600 V	max. 20 msec.	max. 20 msec.

### Ordering Information

Part Number	Current Rating
B0500T	500 mA
B1250T	1.25 A



Reliable Electronic Solutions

#### Asia-Pacific:

TEL +886- (0)2 25624117 • FAX +886- (0)2 25624116

#### Europe:

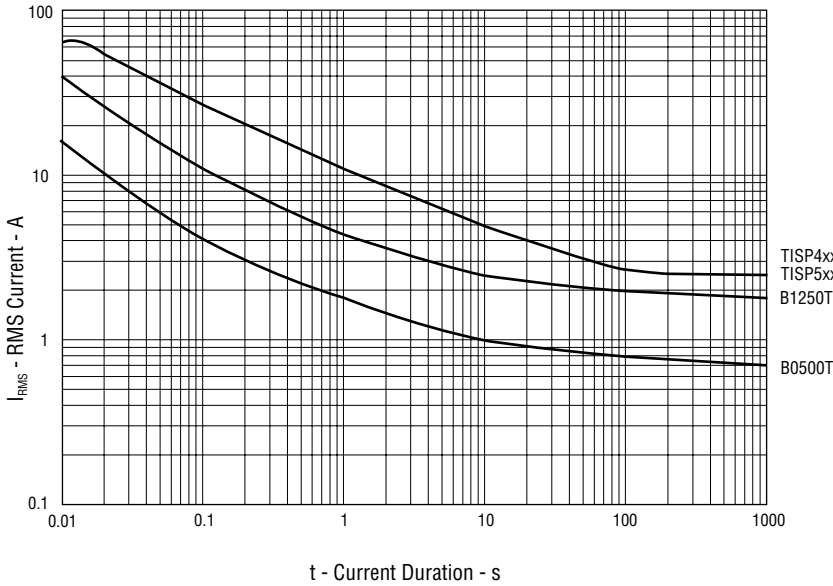
TEL +41-41 7685555 • FAX +41-41 7685510

#### North America:

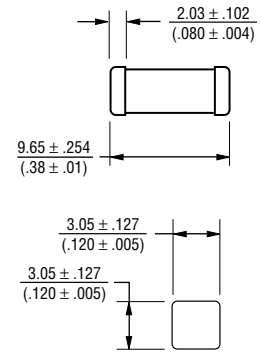
TEL +1-909 781-5500 • FAX +1-909 781-5700

[bourns.com](http://bourns.com)

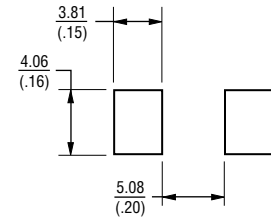
## Typical Current Withstand vs. Current Duration



## Product Dimensions

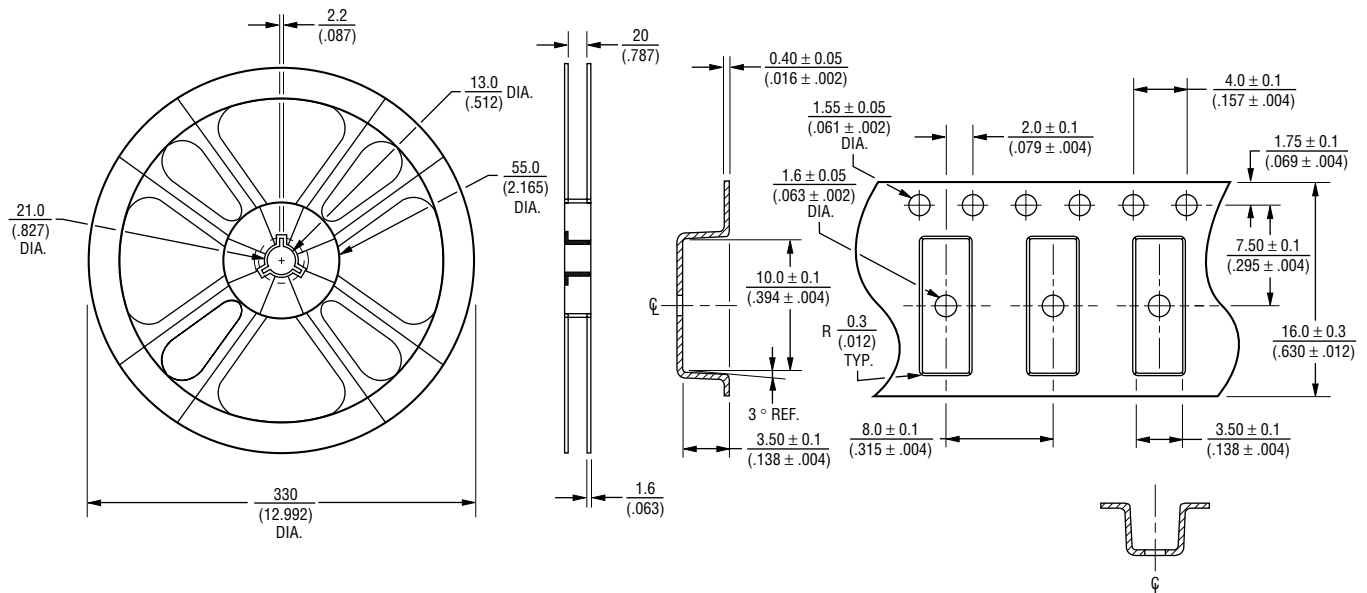


## Recommended Pad Layout



DIMENSIONS:  $\frac{\text{mm}}{\text{(INCHES)}}$

## Packaging Specifications



"Telefuse" is a trademark of Bourns, Inc.  
 "TISP" is a trademark of Power Innovations, Ltd., a Bourns Company, and is Registered in U.S. Patent and Trademark Office.  
 Specifications are subject to change without notice.